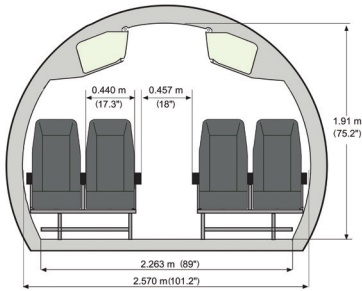
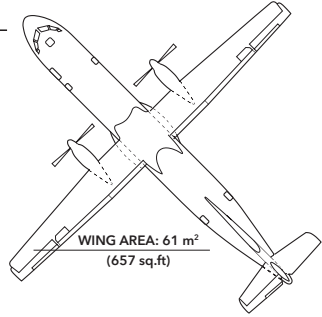
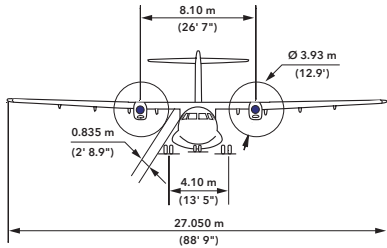
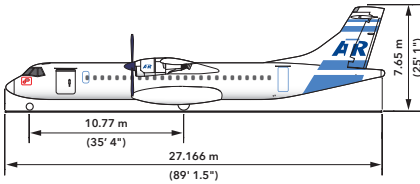
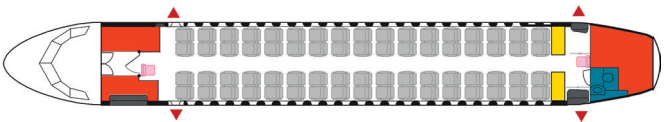


# ATR 72-500



68 pax at 31" pitch



■ Attendant seat 
 ■ Galley 
 ■ Toilet 
 ■ Baggage 
 ▲ Emergency Exits

# ATR 72-500

## STANDARD CONFIGURATION 68 seats

Engines Pratt & Whitney Canada	PW127F/M
Take-off power	2,475 SHP
Take-off power - One engine	2,750 SHP
Max continuous	2,500 SHP
Max climb	2,192 SHP
Max cruise	2,132 SHP

Propellers Hamilton Standard	568F
Blades - diameter	6 - 3.93 m - 12.9 ft

<b>Weights</b>	
Max take-off weight (basic)	22,000 kg - 48,501 lb
Max take-off weight (option 1)	22,500 kg - 49,603 lb
Max take-off weight (option 2)	22,800 kg - 50,265 lb
Max landing weight (basic)	21,850 kg - 48,170 lb
Max landing weight (option)	22,350 kg - 49,272 lb
Max zero fuel weight (basic)	20,000 kg - 45,194 lb
Max zero fuel weight (option 1)	20,300 kg - 44,753 lb
Max zero fuel weight (option 2)	20,500 kg - 45,194 lb
Operational empty weight (Tech. Spec.)	12,950 kg - 28,549 lb
Operational empty weight (Typical in-service)	13,500 kg - 29,762 lb
Max payload (at typical in-service OEW)	7,000 kg - 15,432 lb
Max fuel load	5,000 kg - 11,023 lb

<b>Airfield performance</b>	
Take-off distance	
> Basic - MTOW - ISA - SL	1,224 m - 4,016 ft
> Option 1 - MTOW - ISA - SL	1,289 m - 4,229 ft
> Option 2 - MTOW - ISA - SL	1,333 m - 4,373 ft
> TOW for 300 NM - Max pax - SL - ISA	1,167 m - 3,829 ft
> TOW for 300 NM - Max pax - 3,000 ft - ISA +10	1,404 m - 4,606 ft
Take-off speed (V2 min @ MTOW)	115 KCAS
Landing field length (EASA Air Ops)	
> Basic MLW - SL	899 m - 2,949 ft
> Option MLW - SL	915 m - 3,002 ft
> LW (max pax + reserves) - SL	863 m - 2,831 ft
> Reference speed at landing	113 KIAS

<b>En-route performance</b>	
Optimum climb speed	170 KCAS
Rate of climb (ISA, SL, MTOW)	1,374 ft/min
Time to climb to FL170	17.2 min
One engine net ceiling (95% MTOW, ISA +10)	10,000 ft
Max Cruise speed (95% MTOW - ISA - Optimum FL)	275 KTAS - 510 km/h
Fuel flow at cruise speed	762 kg/hr - 1,680 lb/h
Range with max pax	772 NM
200 NM Block Fuel	636 kg - 1,402 lb
200 NM Block Time	61 min
300 NM Block Fuel	876 kg - 1,932 lb
300 NM Block Time	84 min